

4" Submersible Pump Motors DIAMOND PERFORMANCE SERIES



**TECHNOLOGY FOR
EMPOWERING THE WATER**



4" Submersible Pump Motors

DIAMOND PERFORMANCE SERIES

In the new series Alarko Submersible pump motors, the engine lifespan has been extended with the upper bearing holder, specifically developed for Alarko, which sets it apart from competitor motors. Additionally, the axial load resistance capacity has been enhanced with the use of 7303 series bearings. The NEMA Standard and Performance series, which are manufactured with a winding design, use a special non-toxic dielectric oil for cooling and lubrication. With the improvements made to the rotor and stator designs, efficiency has been increased, and the current drawn has been relatively reduced.

The service time is reduced with the special shackle and newly designed membrane cover used in the new Series Performance 4" submersible motors, while the replacement procedures are simplified. The new series engines use special sealing strips to prevent engine oil from leaking while in storage. Alarko 4" Diamond Performance series motors are tested according to standards using statistical methods and are presented to users with the assurance of Alarko.





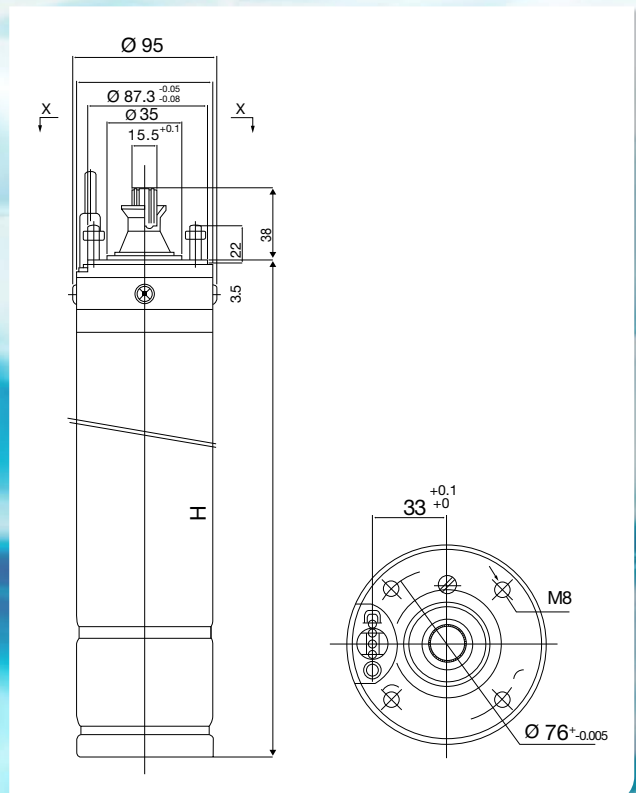
TECHNICAL SPECIFICATIONS

	Motor Power (HP)	Voltage (V)	Current (A)	Speed (di/min) (RPM)	CosQ	Min. Required Cooling Water Speed V (cm/sec)	Protection Class (IP)	Max Water Temperature (°C)	Capacitor C [UF]	Winding Standard	Cooling Liquid	Horizontal Operation	Axial Load Bearing Capacity
MONO-PHASE	0,5	220	3,5	2845	0,93	8	IP 68 B	40°C	20	Re-Coiling Class Y	Anti-toxic Dielectric Lubricant	Yes	1500 N
	0,75		5,0	2845					25				1500 N
	1,0		5,7	2851					30				1500 N
	1,5		9,1	2850					40				1500 N
	2,0		9,8	2850					50				1500 N
	3,0		16,4	2845					60				5000 N
THREE-PHASE	0,5	380	2,0	2850	0,8				1500 N				
	0,75		2,1	2855	0,82				1500 N				
	1,0		2,5	2855	0,84				1500 N				
	1,5		3,7	2855	0,85				1500 N				
	2,0		4,3	2855	0,86				1500 N				
	3,0		6,0	2850	0,87				5000 N				
	4,0		7,0	2850	0,87	5000 N							
	5,5		9,9	2850	0,88	5000 N							
	7,5		13,3	2850	0,88	5000 N							
	10,0		15,2	2850	0,88	5000 N							

(*) The above data were obtained by increasing the values obtained as a result of the tests carried out with 4/4 loading at the manufacturer's test stand by the service factor (5%) and the manufacturer is responsible in this respect. (CERTIFICATE NR120810)

DIMENSION TABLE

	Motor Power (HP)	ØD	Height (mm)	Weight (kg)
MONO-PHASE	0,5	95	313	6,9
	0,75		328	7,6
	1,0		343	8,2
	1,5		398	10,7
	2,0		448	12,9
	3,0		541	17,4
THREE-PHASE	0,5		313	6,6
	0,75		328	7,2
	1,0		343	7,9
	1,5		378	9,5
	2,0	413	11	
	3,0	501	15,2	
	4,0	551	17,7	
	5,5	616	20,9	
	7,5	712	24,9	
	10,0	812	29,9	



MAIN PARTS

NO	PART NAME	MATERIAL
1	Motor Casing	AISI 3040 S
2	Motor Top Bearing Holder	Cast-Iron ASTM No.30 + Cataphoresis + AISI 304 Cover
3	Membrane	NBR
4	Lower Bearing Holder	Cast-Iron ASTM No.30 + Cataphoresis
5	Mechanical Seal	Graphite-Ceramic/TC
6	Rotor Shaft	ASTM 1045/5140
7	Upper/Lower Bearings	NSK
8	Cooling/Lubrication Fluid	Anti-Toxic Dielectric Oil
9	Power Cable	Flat Underwater
10	Sand Holder	NBR
11	Connection Standard	NEMA



ALARKO SUBMERSIBLE PUMPS



In the field of use and drinking water, Alarko submersible pumps are:

- Ready to use at any time
- Hassle-free
- Great on return on investment

UNINTERRUPTED AND PERSONAL SOLE SOURCE OF WATER



Alarko submersible pumps are **HIGHLY FUNCTIONAL** with the advantage of using it as a booster pump for storing domestic water for various purposes in all buildings from houses to skyscrapers



Alarko submersible pumps are used for supplying process and domestic water in industrial plants and businesses with the following characteristics

- High efficiency,
- Long service life

AN IDEAL INVESTMENT



Alarko submersible pumps are **TRUSTWORTHY FRIENDS** for gardeners and farmers in the field of gardening and agriculture for the irrigation of a small house garden to tens of thousands of acres of agricultural lands



Alarko submersible pumps are needed more than ever especially in the tourist season in tourist facilities

THE ONLY RELIABLE SOURCE OF WATER



Alarko submersible pumps

- Outstanding technology
- Cost efficiency
- High quality continuous service
- Fast spare part supply system

UNRIVALED

ALARKO, THE FIRST CHOICE IN SUBMERSIBLE PUMPS



Note: Manufacturer reserves the right to change any product specifications without notice.

ALARKO



ALARKO CARRIER SANAYİ VE TİCARET A.Ş.

GOSB - Gebze Organize Sanayi Bölgesi, Şahabettin Bilgisu Cad.

No:1604 Gebze 41480 KOCAELİ - TÜRKİYE

Phone: +90 262 648 60 00

Fax: +90262 648 60 08

www.alarko-carrier.com.tr

info@alarko-carrier.com.tr